

Rail Cart Questionnaire

HAMILTON®

Date: _____

Name: _____

Company Name _____

City & State _____

Phone #: _____ Email: _____

Help us understand the cart usage:

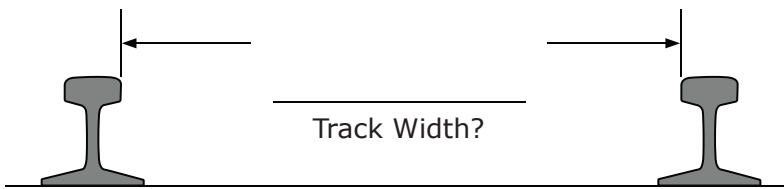
What do you move? _____

Distance moved? _____ From? _____ To? _____

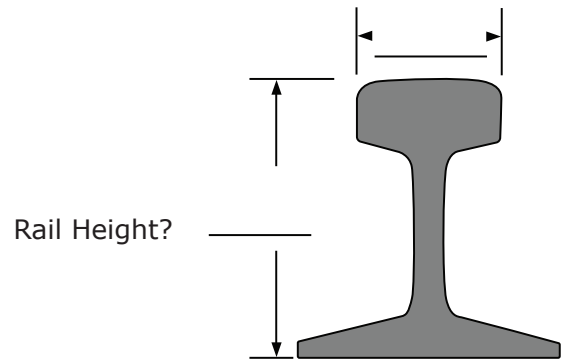
Load Weight? _____ Load width? _____ Load Length? _____

Track Information:

Rail Gauge? _____



Rail Width? _____



Cart Options:

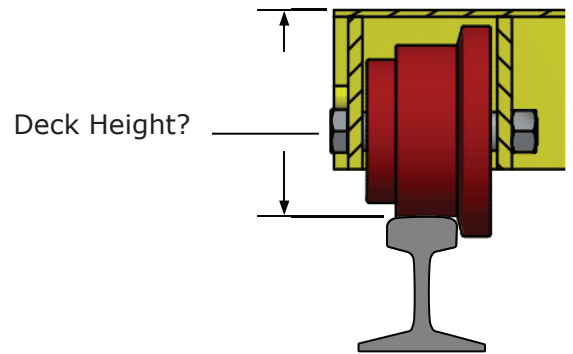
Towing Method? _____

Cart Attachment? _____

Color? _____

Special Markings? _____

Quantity? _____



Tell us about the day and life of a cart at your facility?

Please attach any relevant photos, drawings and/or additional information.

Click here to submit via email.

info@hamiltoncaster.com

The Toughest Carts and Trailers on the Planet.

www.CartsandTrailers.com

1-800-733-7655 • Hamilton, Ohio 45011

© 2019 Hamilton Caster All rights reserved.

